

Please note that the data given here has been taken from the online catalog. For comprehensive information and data, please refer to the user documentation at <http://www.download.phoenixcontact.com>. The General Terms and Conditions of Use apply to Internet downloads.

► Extract from the online catalog

MCR 3-way isolating amplifier, with configurable inputs/outputs, reliable isolation and long-range supply, for electrical isolation of analog signals

Order No.	2814838
Ord designation	MCR-FL-C-UI-UI-DCI-24/230
EAN	4017918190811
Pack	1 Pcs.
Customs tariff	85389091
Catalog page information	Page 265 (IF-2005)

► Technical data

Input data

Description of the input	Current input
Configurable/programmable	Yes, can be reconnected/switched
Current input signal	0 mA ... 20 mA (Default setting)
Current input signal	4 mA ... 20 mA
Max. input current	Approx. 22 mA
Voltage dissipation	Approx. 250 mV (At 20 mA)
Description of the input	Voltage input
Voltage input signal	0 V ... 10 V
Max. input voltage	11 V
Input resistance of voltage input	Approx. 1 MOhm

Output data

Configurable/programmable	Yes, can be switched
Voltage output signal	0 V ... 10 V
Current output signal	0 mA ... 20 mA (Default setting)
Current output signal	4 mA ... 20 mA
Max. output voltage	11 V
Max. output current	Approx. 22 mA
Load/output load voltage output	1 kOhm (At 10 V)
Load/output load current output	600 Ohm (At 20 mA)
Residual ripple	< 10 mV (rms)

Power supply

Range of supply voltages	20 V AC/DC ... 253 V AC/DC
--------------------------	----------------------------

Connection data

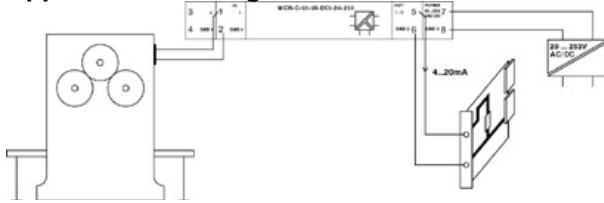
Type of connection	Pluggable COMBICON screw terminal block
Conductor cross section, rigid min.	0.2 mm ²
Conductor cross section, rigid max.	2.5 mm ²
Conductor cross section flexible min.	0.2 mm ²
Conductor cross section, flexible max.	2.5 mm ²
Conductor cross section AWG/kcmil min.	24
Conductor cross section AWG/kcmil max	14
Stripping length	8 mm
Screw thread	M 3

General data

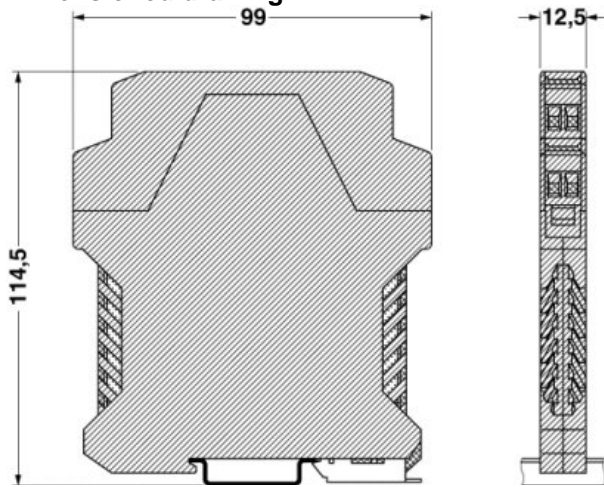
No. of channels	1
Length	99 mm
Width	12.5 mm
Height	114.5 mm
Transmission error, max.	0.1 % (Of end value)
Transmission error, typical	0.1 % (Of end value)
Max. scale factor error	0.1 % (Of end value)
Temperature coefficient, typical	0.005 %
Cut-off frequency (3 dB)	< 10 Hz (Can be switched)
Cut-off frequency (3 dB)	Approx. 10 kHz (Default setting, 10 Hz can be switched)
Step response (10-90%)	35 ms
Step response (10-90%)	0.035 ms
GRP test voltage	4 kV AC (50 Hz, 1 min)
Test voltage input/output	4 kV AC
Test voltage input/power supply	4 kV AC
Test voltage output/power supply	4 kV AC
Ambient temperature (operation)	-10 ° C ... 70 ° C
Degree of protection	IP20
Electromagnetic compatibility	CE in compliance
Color	green
Housing material	Polyamide PA non-reinforced
Installation position	Any

► Drawings

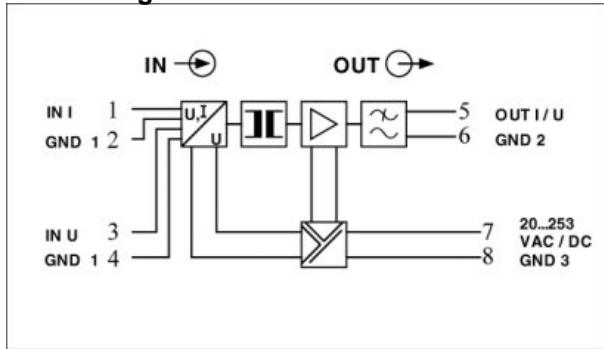
Application drawing



Dimensioned drawing



Circuit diagram



► Address

PHOENIX CONTACT GmbH & Co. KG

Flachsmarktstr. 8

32825 Blomberg

Germany

Phone +49 5235 3 00

Fax +49 5235 3 1200

<http://www.phoenixcontact.com>

Phoenix Contact

Technical modifications reserved;